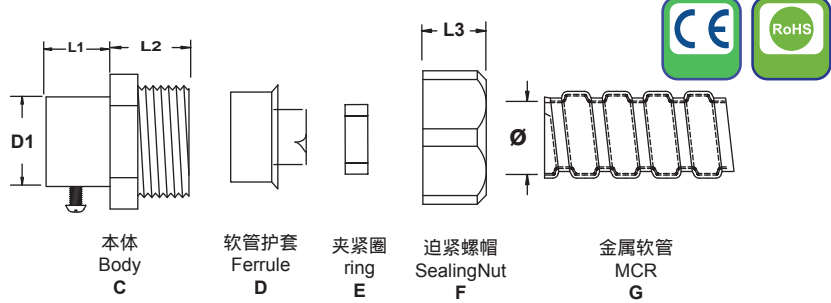


RCCN 日成NBE型锁紧式金属软管接头 Conduit Fittings



产品材质:C.F部位均采用优质加厚型锌合金制成.E采用丁腈橡胶(NBR)制成.D为铁皮压铸制成.

产品认证:欧洲CE,欧洲环保RoHS

产品特性: 1.连接无螺纹钢管,用顶丝固定住.NBE规格L1/L2与NBF相同
2.除以下标准规格外,可另按需求任意订制特殊大小尺寸

Material:A.C.F are made from zinc coated metal.B.E are made of NBR.D is made of iron sheet.

Certificates:CE RoHS

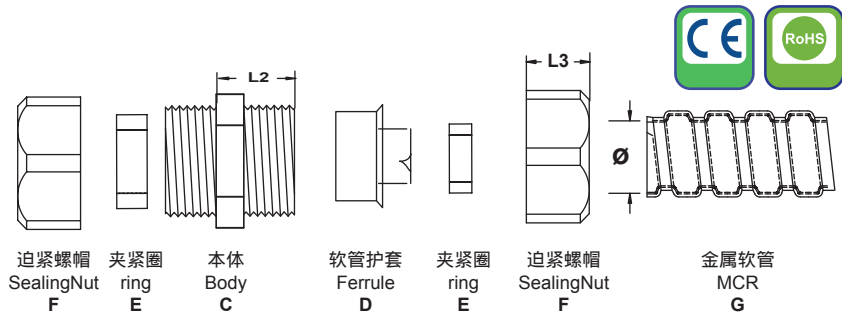
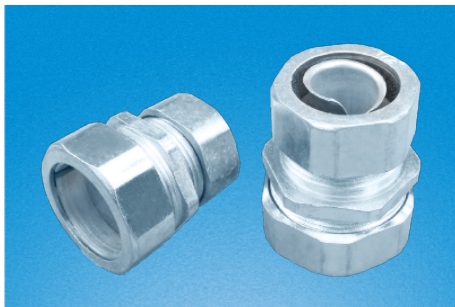
Operate T.: -40°C to 100°C, 120°C in a short time.

Special thread can be produced

单位/Unit:mm

型号 Item No.	配套日成金属软管 RCCN MCR suitable RCCN metal flexible conduit MCR			厚钢管(水,煤,气管) Thicker steel tube(water,coal,gas tube)D1				薄钢管(电线管) Thinner tube(electric tube D1)			
	对应型号 Corresponding item no	公制 Metric \varnothing	英制 British	公称 Public size	英称 British size	外径 Outer dia.	壁厚 Thickness	公称 Public size	英称 British size	外径 Outer dia.	壁厚 Thickness
NBE-04G	MCR-04	13	3/8"	#12	3/8"	17.00	2.25	15	5/8"	15.87	1.6
NBE-05G	MCR-05	16	1/2"	#15	1/2"	21.25	2.75	20	3/4"	19.05	1.8
NBE-06G	MCR-06	20	3/4"	#20	3/4"	26.75	2.75	25	3/4"	25.40	1.8
NBE-08G	MCR-08	25	1"	#25	1"	33.50	3.25	32	3/4"	31.75	1.8
NBE-10G	MCR-10	32	1 1/4"	#32	1 1/4"	42.25	3.25	40	1 1/2"	38.10	1.8
NBE-12G	MCR-12	38	1 1/2"	#40	1 1/2"	48.00	3.50	50	2"	50.80	2.0
NBE-16G	MCR-16	51	2"	#50	2"	60.00	3.50	70	2 1/2"	63.50	2.5
NBE-20G	MCR-20	64	2 1/2"	#70	2 1/2"	75.50	3.75	80	3"	76.20	3.2
NBE-24G	MCR-24	80	3"	#80	3"	88.50	4.00				
NBE-32G	MCR-32	100	4"	#100	4"	114.0	4.00				

RCCN 日成NBK型双头固定式金属软管接头 Conduit Fittings



产品材质:C.F部位均采用优质加厚型锌合金制成.E采用丁腈橡胶(NBR)制成.D为铁皮压铸制成.

产品认证:欧洲CE,欧洲环保RoHS

产品特性: 1.连接无螺纹钢管,用顶丝固定住.NBK规格L1/L2与NBF相同
2.除以下标准规格外,可另按需求任意订制特殊大小尺寸

Material:C.F are made from zinc coated metal.E are made of NBR.D is made of iron sheet.

Certificates:CE RoHS

Special thread can be produced

单位/Unit:mm

型号 Item No.	配套日成金属软管 RCCN MCR suitable RCCN metal flexible conduit MCR			厚钢管(水,煤,气管) Thicker steel tube(water,coal,gas tube)D1				薄钢管(电线管) Thinner tube(electric tube D1)			
	对应型号 Corresponding item no	公制 Metric \varnothing	英制 British	公称 Public size	英称 British size	外径 Outer dia.	壁厚 Thickness	公称 Public size	英称 British size	外径 Outer dia.	壁厚 Thickness
NBK-04G	MCR-04	13	3/8"	#12	3/8"	17.00	2.25	15	5/8"	15.87	1.6
NBK-05G	MCR-05	16	1/2"	#15	1/2"	21.25	2.75	20	3/4"	19.05	1.8
NBK-06G	MCR-06	20	3/4"	#20	3/4"	26.75	2.75	25	3/4"	25.40	1.8
NBK-08G	MCR-08	25	1"	#25	1"	33.50	3.25	32	3/4"	31.75	1.8
NBK-10G	MCR-10	32	1 1/4"	#32	1 1/4"	42.25	3.25	40	1 1/2"	38.10	1.8
NBK-12G	MCR-12	38	1 1/2"	#40	1 1/2"	48.00	3.50	50	2"	50.80	2.0
NBK-16G	MCR-16	51	2"	#50	2"	60.00	3.50	70	2 1/2"	63.50	2.5
NBK-20G	MCR-20	64	2 1/2"	#70	2 1/2"	75.50	3.75	80	3"	76.20	3.2
NBK-24G	MCR-24	80	3"	#80	3"	88.50	4.00				
NBK-32G	MCR-32	100	4"	#100	4"	114.0	4.00				